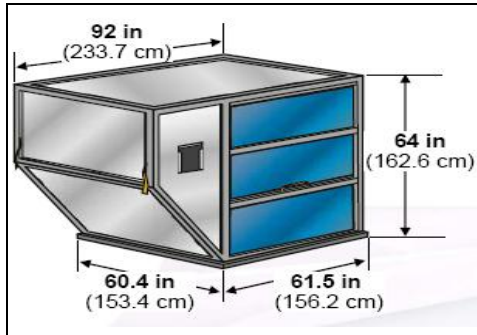
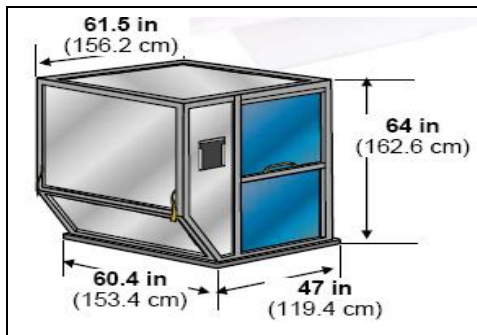


## Air Freight Pallets & Containers



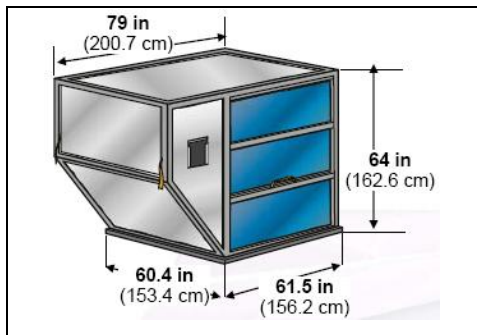
### Common designation: LD-1

IATA ULD code	AKC contoured container
Door opening	58 x 61-in (147 x 155-cm)
Maximum gross weight	1,588 kg (3,501 lb)



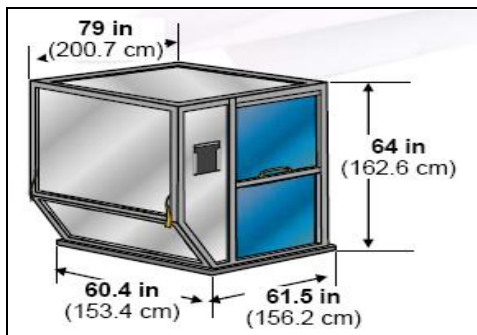
### Common designation: LD-2

IATA ULD code	DPE contoured container
Door opening	44 x 60-in (112 x 152-cm)
Maximum gross weight	1,225 kg (2,700 lb)



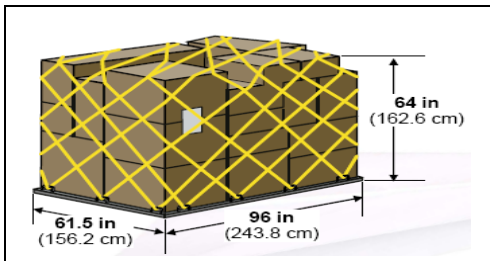
### Common designation: LD-3

IATA ULD code	AKE contoured container
Door opening	58 x 61-in (147 x 155-cm)
Maximum gross weight	1,588 cm (3,500 lb)

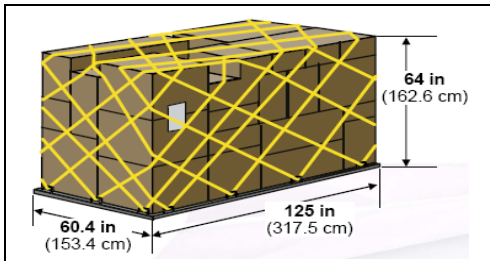


### Common designation: LD-3 Reefer

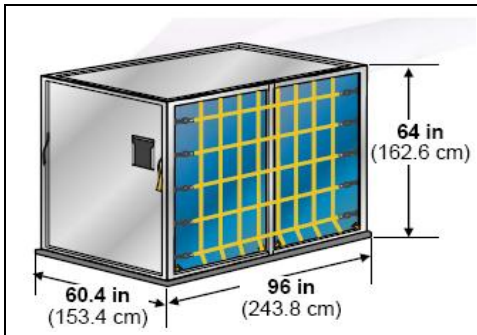
IATA ULD code	RKN contoured cool container
Door opening	54 x 55-in (137 x 140-cm)
Maximum gross weight	1,588 cm (3,500 lb)



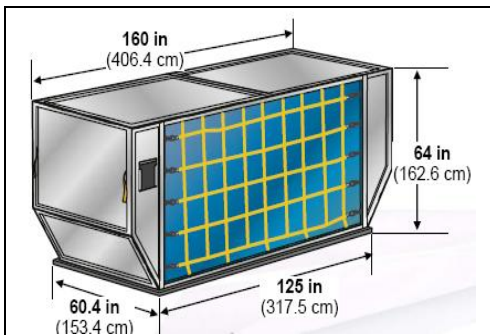
<b>Common designation: Half pallet</b>	
IATA ULD code	PNA 767 half pallet with net
Maximum gross weight	2,449 kg (5,399 lb)



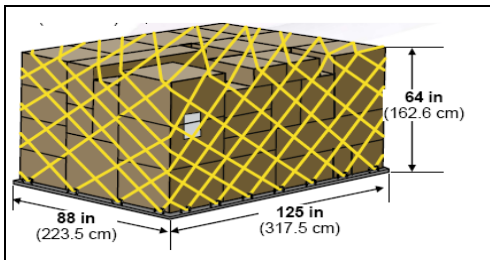
<b>Common designation: Half pallet</b>	
IATA ULD code	PLA half pallet with net
Maximum gross weight	3,175 kg (6,999 lb)



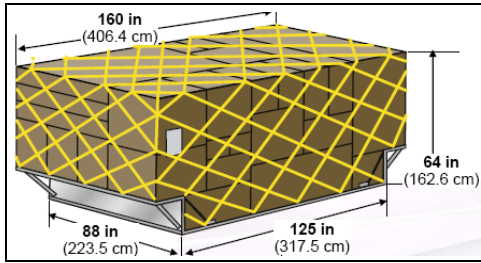
<b>Common designation: LD-4</b>	
IATA ULD code	ALP rectangular container
Door opening	92 x 61-in (234 x 155-cm)
Maximum gross weight	2,449 kg (5,399 lb)



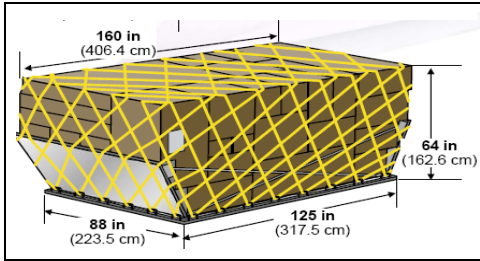
<b>Common designation: LD-6</b>	
IATA ULD code	ALF contoured container
Door opening	120 x 60-in (305 x 152-cm)
Maximum gross weight	3,175 kg (7,000 lb)



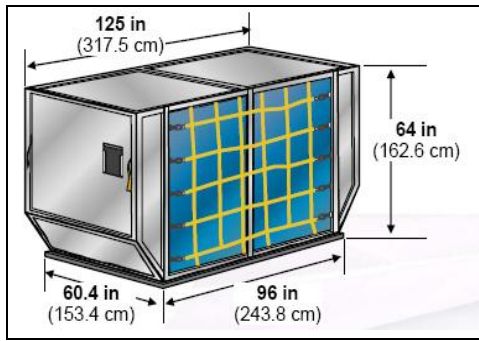
<b>Common designation: LD-7</b>	
IATA ULD code	P1P flat pallet with net
Maximum gross weight	4,626 kg (10,198 lb)



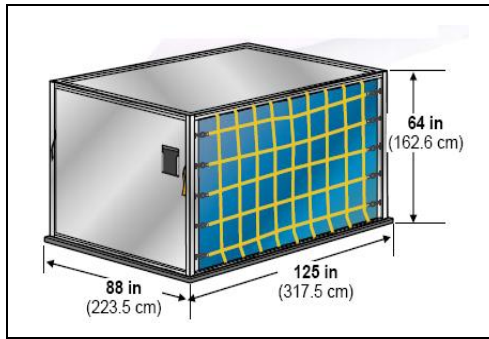
<b>Common designation: LD-7</b>	
IATA ULD code	PAD P1P pallet with folding wings & net
Maximum gross weight	5,000 kg (11,023 lb)



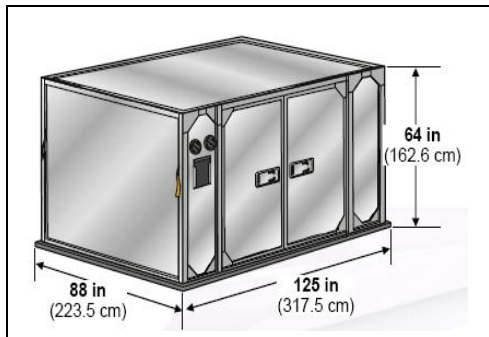
<b>Common designation: LD-7</b>	
IATA ULD code	XAW P1P pallet with fixed-angle wings & net
Maximum gross weight	<b>5,000 kg (11,023 lb)</b>



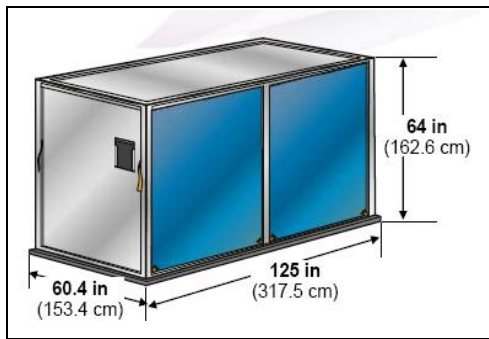
<b>Common designation: LD-8</b>	
IATA ULD code	DQF
Door opening	92 x 62-in (234 x 157-cm)
Maximum gross weight	2,450 kg (5,401 lb)



<b>Common designation: LD-9</b>	
IATA ULD code	AAP enclosed pallet on P1P base
Door opening	118 x 58 in (300 x 147-cm)
Maximum gross weight	Lower hold, 4,624 kg (10,194 lb); main deck, 6,000 kg (13,227 lb)

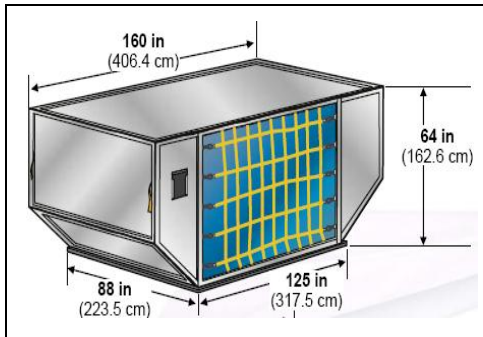


<b>Common designation: LD-9 Reefer</b>	
IATA ULD code	RAP cool container on P1P base
Door opening	85 x 58-in (216 x 147-cm)
Maximum gross weight	Lower hold, 4,626 kg (10,198 lb); main deck, 6,000 kg (13,227 lb)



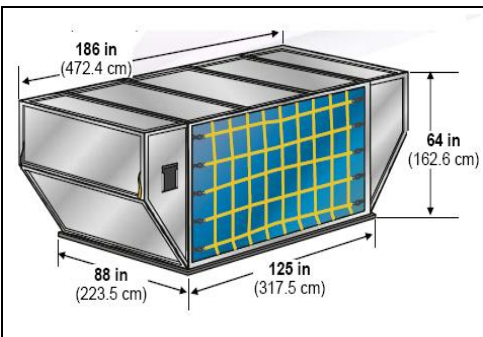
**Common designation: LD-11**

IATA ULD code	ALP rectangular container
Door opening	120 x 61-in (305 x 155-cm)
Maximum gross weight	3,176 kg (7,002 lb)



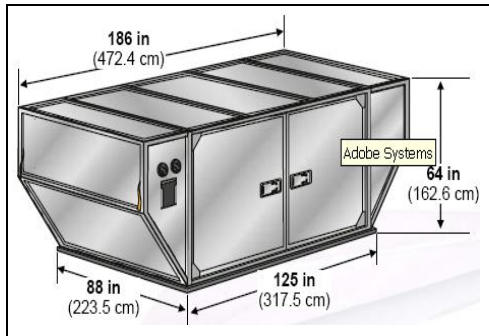
**Common designation: LD-26**

IATA ULD code	AAF contoured container on P1P base
Door opening	120 x 60-in (305 x 152-cm)
Maximum gross weight	6,033 kg (13,300 lb)



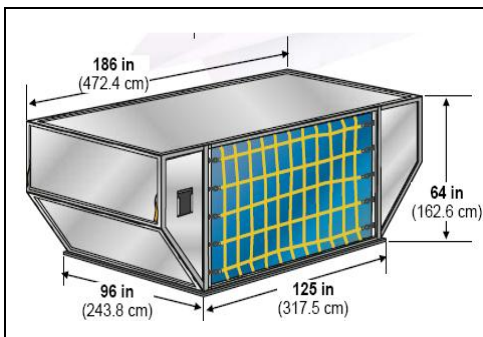
**Common designation: LD-29**

IATA ULD code	AAU contoured container on P1P base
Door opening	118 x 60-in (300 x 152-cm)
Maximum gross weight	6,033 kg (13,300 lb)



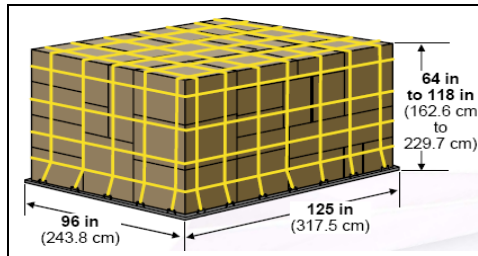
**Common designation: LD-29**

IATA ULD code	RAU contoured cool container on P1P base.
Door opening	118 x 60-in (300 x 152-cm)
Maximum gross weight	6,033 kg (13,300 lb)

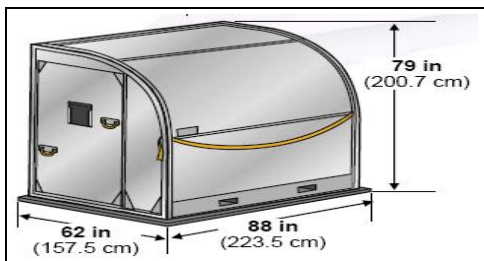


**Common designation: LD-39**

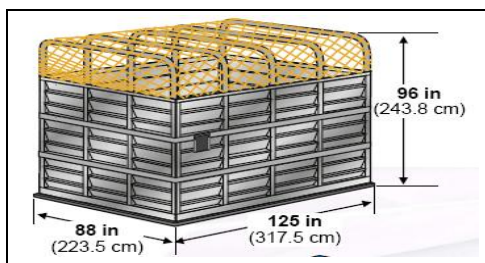
IATA ULD code	AMU contoured container on P6P base
Door opening	120 x 60-in (305 x 152-cm)
Maximum gross weight	5,035 kg (11,100 lb)



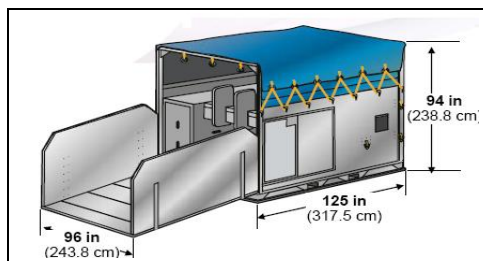
<b>Common designation: P6P pallet</b>	
IATA ULD code	P6P 10-ft flat pallet with net
<b>Tare weight</b>	120 kg (265 lb)



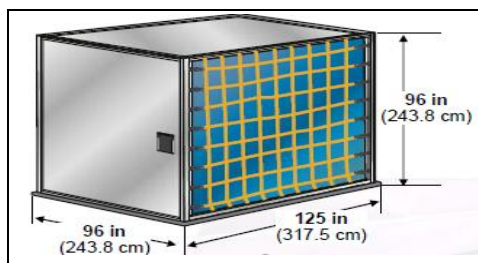
<b>Common designation: Demi</b>	
IATA ULD code	AYY contoured container on half pallet base.
Maximum gross weight	3,016 kg (6,649 lb)



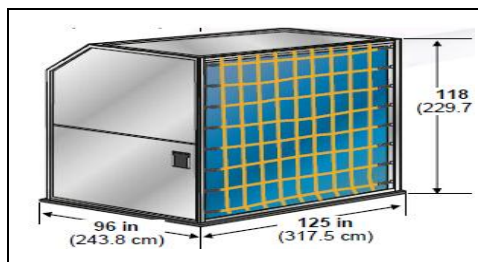
<b>Common designation: Type A pen</b>	
IATA ULD code	KMA sheep & goat pens on p1p base with net
<b>Tare weight</b>	Triple deck, 610 kg (1,344 lb); AS1825 volume: 15.9 m3 (560 ft3)



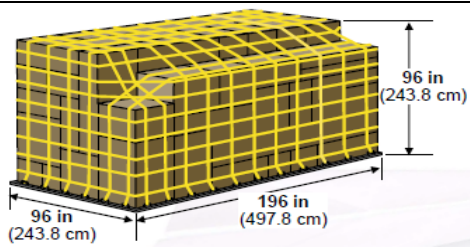
<b>Common designation: HMA stall</b>	
IATA ULD code	HMA horse box on P6P pallet base
Maximum gross weight	3,500 kg (7,716 lb)



<b>Common designation: M-1</b>	
IATA ULD code	AMA rectangular container on P6P base
Maximum gross weight	6,804 cm (15,000 lb)

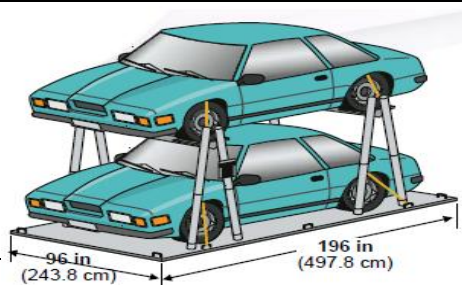


<b>Common designation: M1H</b>	
IATA ULD code	AMD contoured
Maximum gross weight	6,800 kg (14,491 lb)



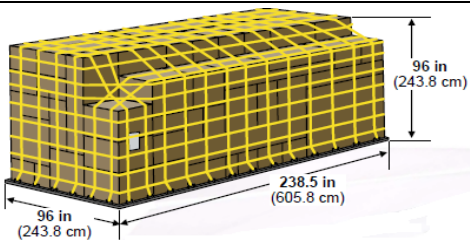
**Common designation: Main deck pallet (MDP)**

IATA ULD code	PRA 16-ft pallet with net
Maximum gross weight	11,300 kg (24,911 lb)



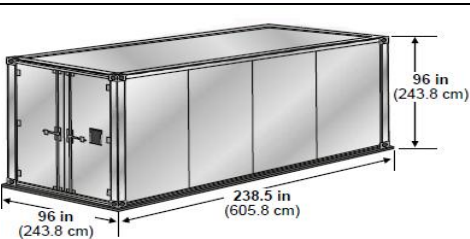
**Common designation: M-6**

IATA ULD code	PRA 16-ft flat pallet with twin car racks as VRA
Maximum gross weight	8,900 kg (19,621 lb), vehicle for upper rack must not exceed 1,800 kg (3,968 lb)



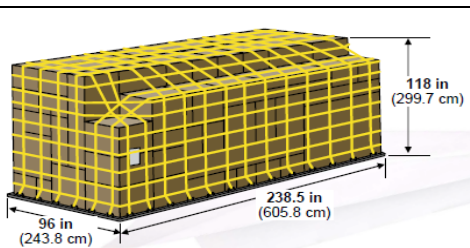
**Common designation: M-6**

IATA ULD code	PGA 20-ft flat pallet with net
Maximum gross weight	11,340 kg (25,000 lb)



**Common designation: M-2**

IATA ULD code	AGA 20-ft box container
Maximum gross weight	11,340 kg (25,000 lb)



**Common designation: M-6**

IATA ULD code	PGA 10-ft high, 20-ft flat pallet with net
Maximum gross weight	11,340 kg (25,000 lb)